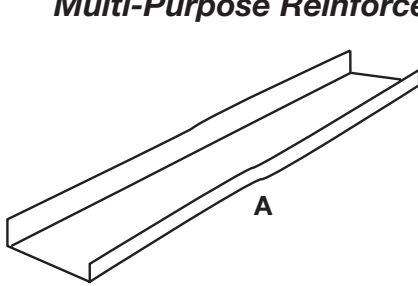
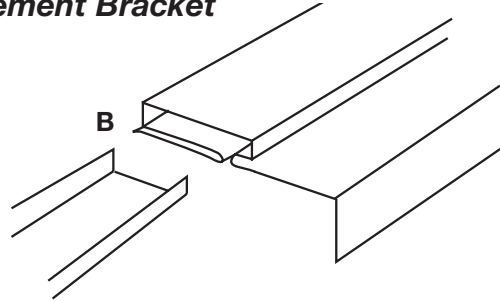


Installation of Frame-Up TA-48 Multi-Purpose Reinforcement Bracket

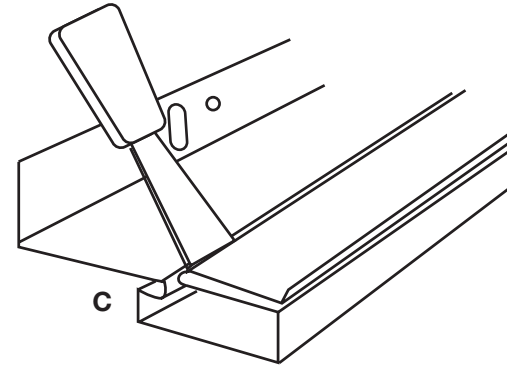


1. TA-48 bracket should be installed prior to installation of the Kerf Adjustable Frame.

2. Verify reinforcement and location required. NOTE: Bracket is twisted intentionally to assist in maintaining its position within the frame. (See A)



3. Match the "tall end" of the bracket with the "tall end" of the stop. (See B)



4. Slide the TA-48 Bracket into the stop as far as you can by hand, then use a putty knife to push the reinforcement into place, either thru the stop or along the gap in the frame. (See C)

5. Install door and frame as per manufacturer's instructions.

6. Drill and tap holes as required.